

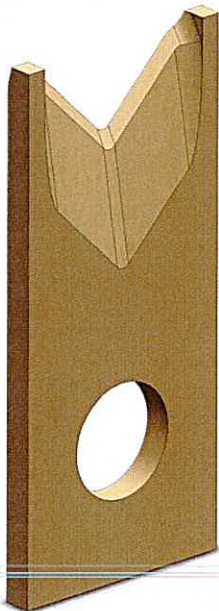
REPLACEMENT BLADES
CRIMPING TOOLS
SEAL STATION PARTS

REPLACEMENT BLADES

What for others is a special performance, for us is standard. The blades of our tools are covered with high-performance PVD coatings, which increases their lifetime and reduces the need for frequent replacement.

PVD coat

TiN



TiAlN



Starting point
(uncoated
precision tool)



3-4x



up to 5x



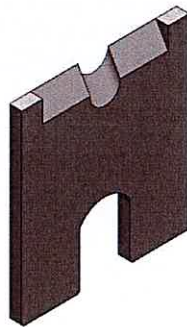
up to 10x



We know from our tests and customer experience that the PVD coatings we use extend the blade life by at least 60% (in a stable process or without frequent change of wires it is not a problem to obtain 100%)

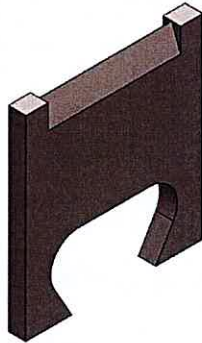
KOMAX 40, 41, 42, 43

Stripping Blade Ø0.25-Ø6



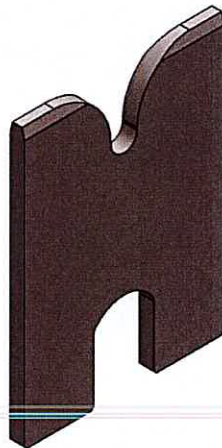
KOMAX 40, 41, 42, 43

Cut-Off Blades T5 1 1.5 2



KOMAX 40, 41, 42, 43

Wire Guide 0,5-10



KOMAX 411, 421, 422, 432

030299 Wire stripping blade R 0,1

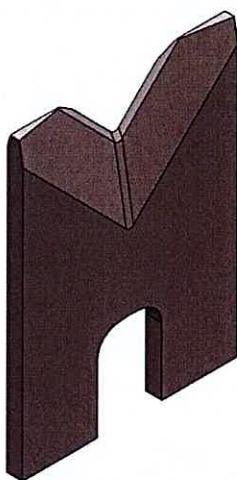
033958 Wire stripping blade R 0,5

033959 Wire stripping blade R 0,75

033960 Wire stripping blade R 1,0

033961 Wire stripping blade R 1,5

033962 Wire stripping blade R 2,0

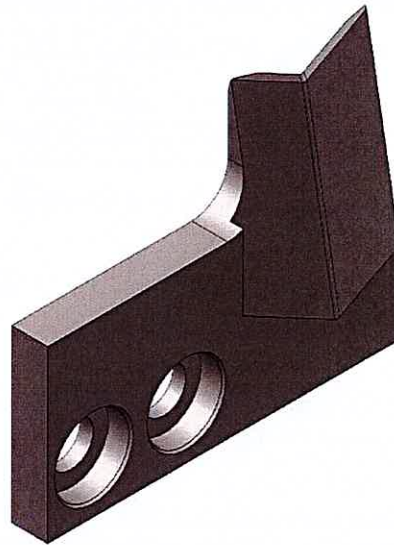


KOMAX 411, 421, 422, 432

030297 Wire cutting blade

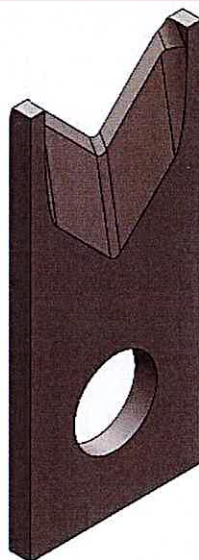


KOMAX 411, 421, 422, 432
037943 Wire cutting blade



Komax Alpha 355/356/358/433/455/477/488/Zeta 633/651

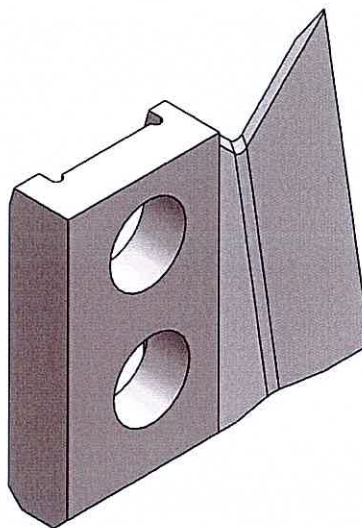
048492	Wire stripping blade V
045592	Wire stripping blade R 0,5
045588	Wire stripping blade R 0,75
045589	Wire stripping blade R 1,0
045590	Wire stripping blade R 1,5
045591	Wire stripping blade R 2,0



Komax Alpha 355/356/358/433/455/477/488/Zeta 633/651	
045593	Wire cutting blade R 0,5
045594	Wire cutting blade R 0,75
045595	Wire cutting blade R 1,0
045596	Wire cutting blade R 1,5
045597	Wire cutting blade R 2,0

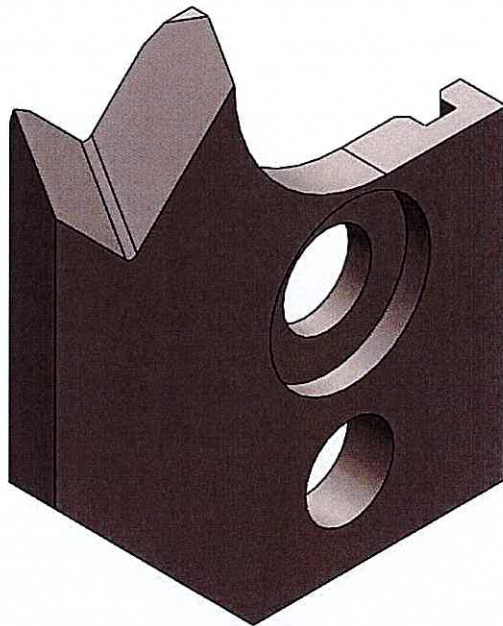


Komax Alpha 355/356/358/433/455/477/488/Zeta 633/651	
045603	Wire cutting blade R 0,5
045604	Wire cutting blade R 0,75
045605	Wire cutting blade R 1,0
045606	Wire cutting blade R 1,5
045607	Wire cutting blade R 2,0



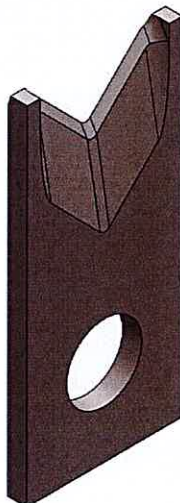
Komax Alpha 35/356/358/433/455/477/488/Zeta 633/651

045598 Bad terminal cutting blade R 0,5



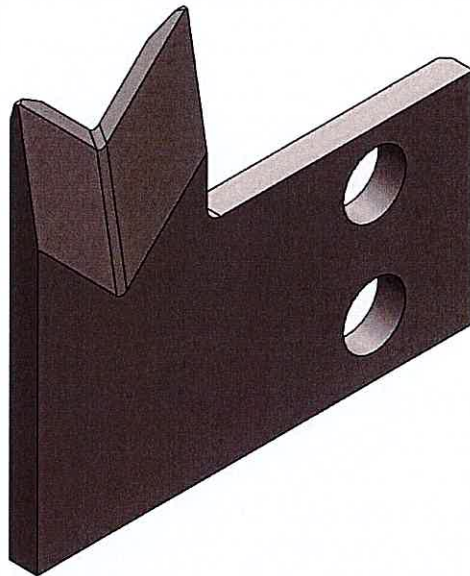
Schleuniger CrimpCenter 36, 60, 61, 62, 63, 64, 65, 67, 70

50920010295	Wire stripping blade V
50000581574	Wire stripping blade R 0,25
50920009437	Wire stripping blade R 0,5
50000581576	Wire stripping blade R 0,75
50000581577	Wire stripping blade R 1,0
50000581578	Wire stripping blade R 1,25
50920009438	Wire stripping blade R 1,5
50000581580	Wire stripping blade R 2,0



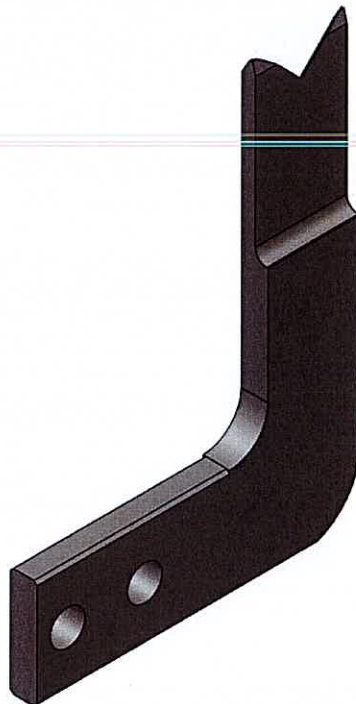
Schleuniger CrimpCenter 36, 60, 61, 62, 63, 64, 65, 67, 70

50000578247 Wire cutting blade



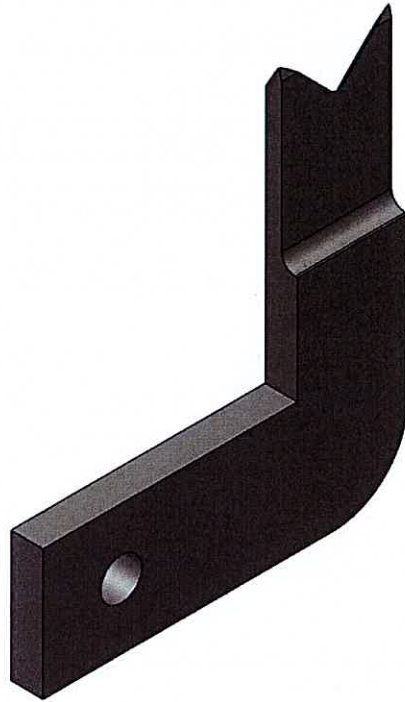
Schleuniger CrimpCenter 36, 60, 61, 62, 63, 64, 65, 67, 70

50000578248 Wire cutting blade



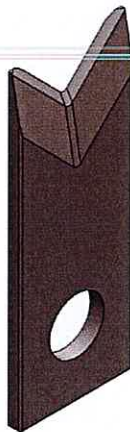
Schleuniger CrimpCenter 36, 60, 61, 62, 63, 64, 65, 67, 70

50000585532 Wire cutting blade

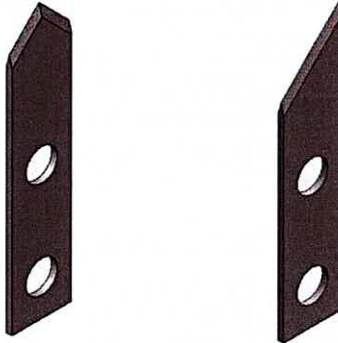


Schleuniger CrimpCenter 36, 60, 61, 62, 63, 64, 65, 67, 70

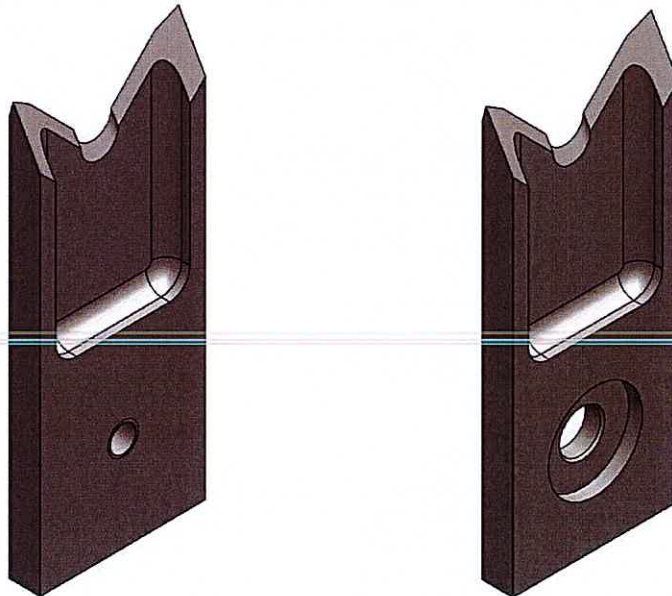
50000585530 Wire cutting blade



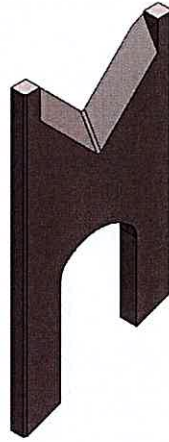
Name	
301.5026	RADIAL CUT-OFF BLADES JS-8300
301.5027	AXIAL CUT-OFF BLADES JS-8300



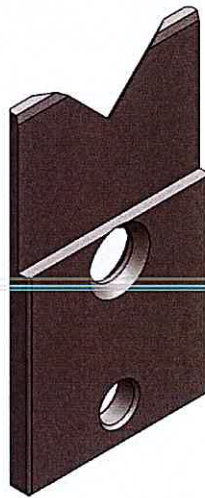
Name	
401.95XX	STRIP BLADE PS9500 (Full Radius 16mm)
401.96XX	STRIP BLADE PS9500 (Full Radius 10.6mm)



Name	
A4-0360	STRIP BLADE US2015



Name	
D4-1300	STRIP BLADE US2500



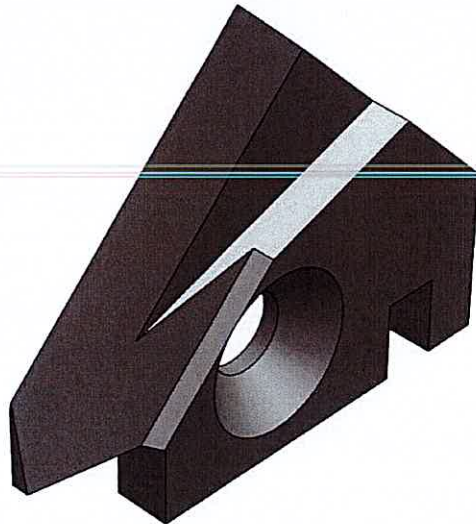
Name	
------	--

402.586	STRIP BLADE SET US2600
---------	------------------------

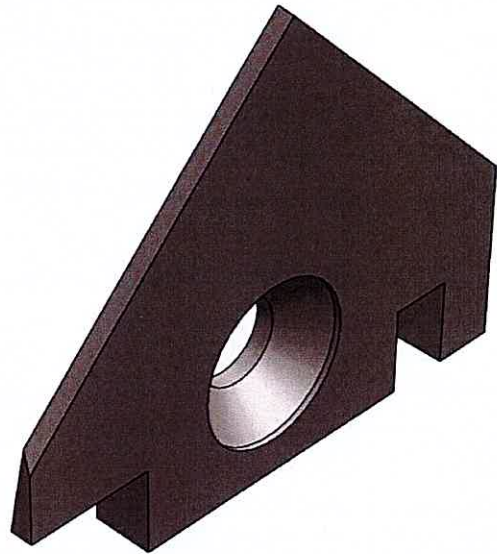


Name	
------	--

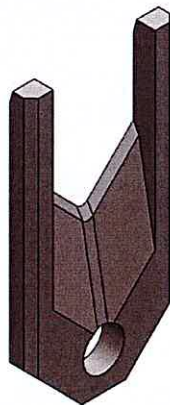
301.9401	ROTARY STRIP PS9500
----------	---------------------

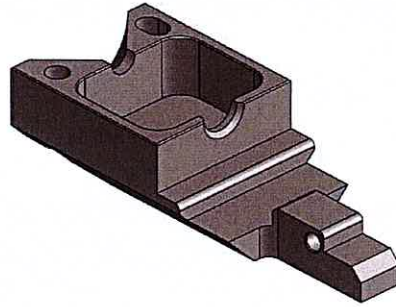


Name	
04-0400	ROTARY STRIP MP8015



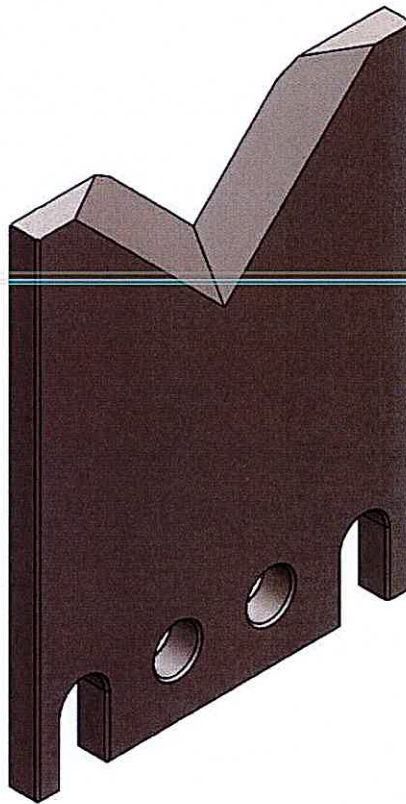
BT 752, BT 722, BT 712 Blade	SETS
0083731 R=0.10	0087007 R=0.10
0064852 R=0.50	0064247 R=0.50
0083735 R=0.75	0087008 R=0.75
0083732 R=1.00	0087009 R=1.00
0083733 R=1.50	0087010 R=1.50
0083734 R=2.00	0087011 R=2.00



BT 752**0042753** Insertion Jaws**0042758** Insertion Jaws**0043743** Insertion Jaws**0042754** Insertion Jaws

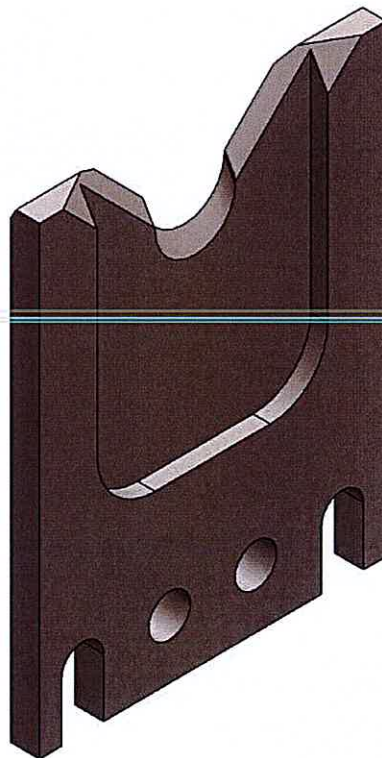
**KAPPA 230, 235, 321,
322,330**

Part Nr	Set Nr	Radius
0305028 NC	0305868 NC	R=0.00 V
0311458 NC	0311459 NC	R=0.50
0311456 NC	0311457 NC	R=1.00
0311454 NC	0311455 NC	R=1.50
0044128 NC	0044211 NC	R=2.00
0044127 NC	0044212 NC	R=2.50
0043912 NC	0044213 NC	R=3.00
X	X	R=3.50
0043913 NC	0044214 NC	R=4.00
X	X	R=4.50
0043914 NC	0044215 NC	R=5.00
X	X	R=5.50
0043915 NC	0044216 NC	R=6.00
X	X	R=6.50



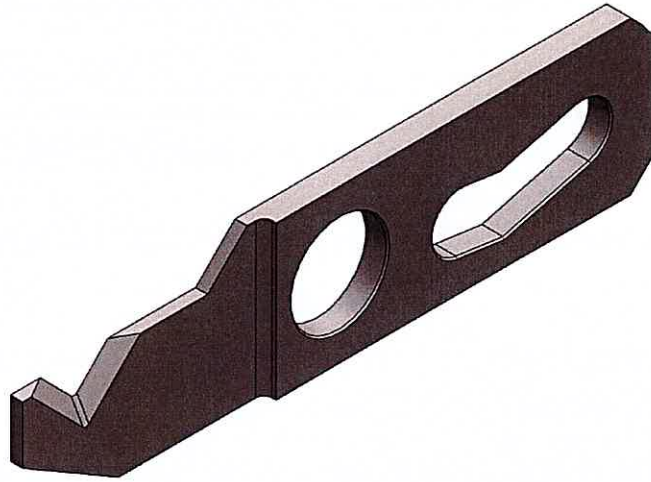
**KAPPA 230, 235, 321,
322,330**

Part Nr	Set Nr	Radius
307823	307837	R=0.50
307824	307838	R=1.00
307825	307839	R=1.50
307826	307840	R=2.00
307827	307841	R=2.50
307828	307842	R=3.00
307829	307843	R=3.50
307830	307844	R=4.00
307831	307845	R=4.50
307832	307846	R=5.00
307833	307847	R=5.50
307834	X	R=6.00
307835	307850	R=6.50



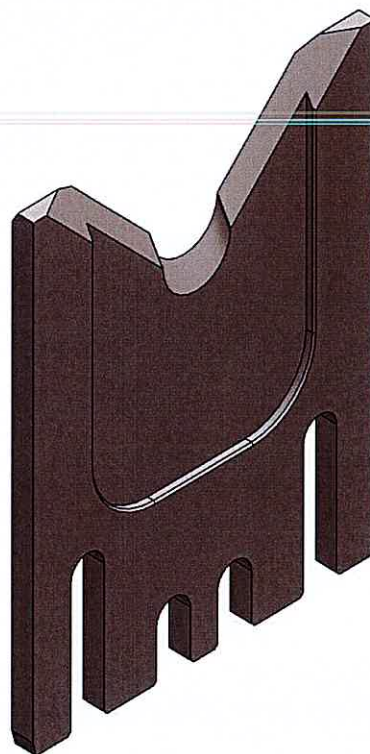
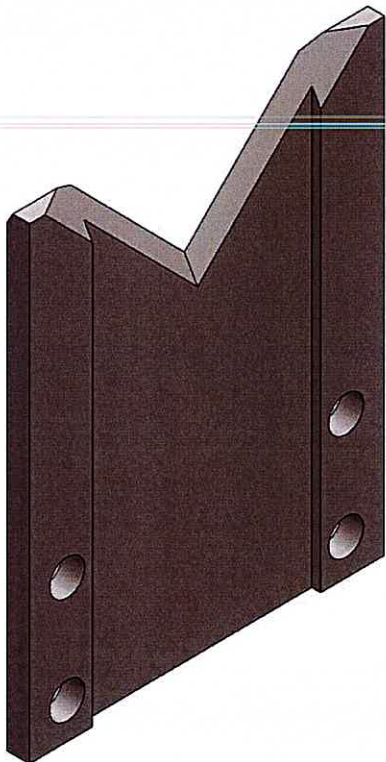
Mecal SC10/SC11/SC12

79.1.13.0011



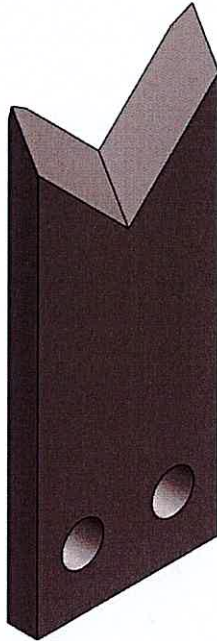
Name

Kappa 240 / Kappa 350



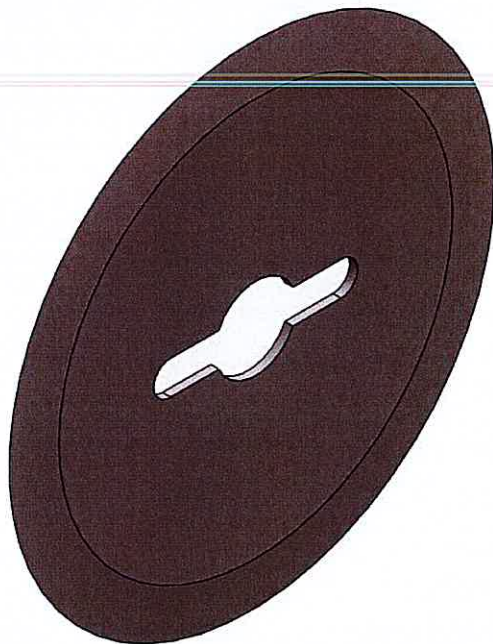
Name

Kappa 220



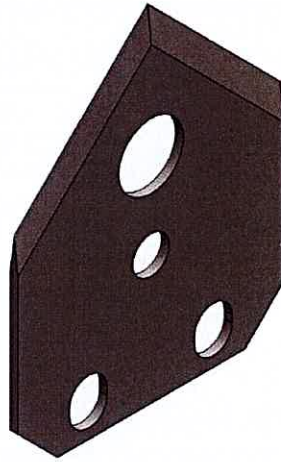
Name

ULMER 8310130



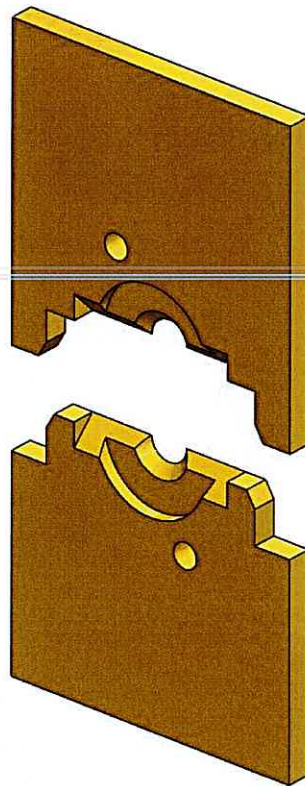
Name

ULMER 8300530

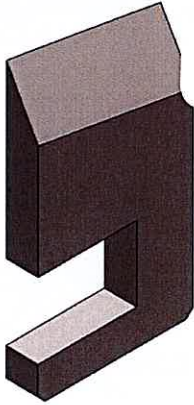


Name

311.XXXX Ø2-Ø8



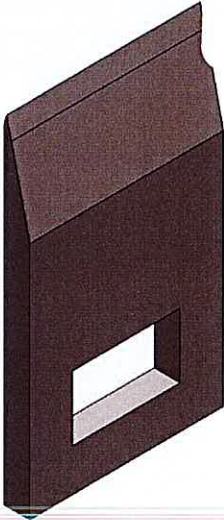
HellermannTyton Replacement
110-03524 MK3SP



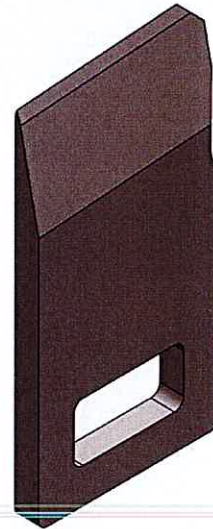
HellermannTyton Replacement
110-30101 MK3PNSP2



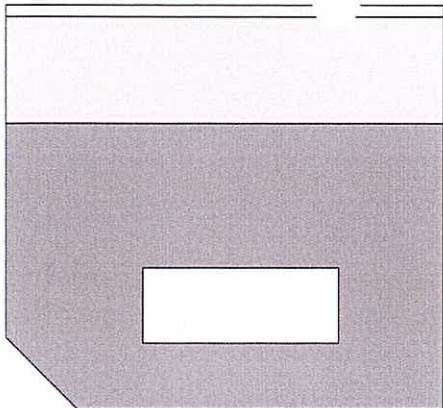
HellermannTyton Replacement
110-07511 MK7HT



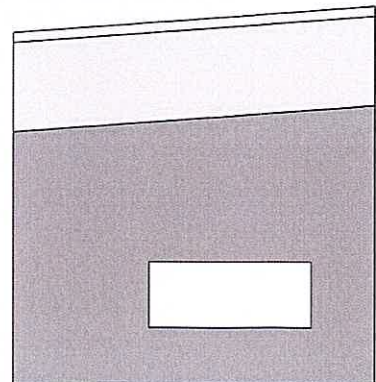
HellermannTyton Replacement
110-07111 MK7P



HellermannTyton Replacement
110-09511 MK9 / MK9HT



HellermannTyton Replacement
110-09111 MK9P



CRIMPING TOOLS

UD and HD line

They were created in response to the needs of customers who were not satisfied with the durability of tools available on the market.

The **HD** line is an improved version relative to **SD**.
They work **more than twice** as long as the standard line.

The **UD** line is our best solution in the field of terminal crimping.
Specially selected steel and composition of PVD coatings makes durability increase over **20 times on steel terminals!**

Series HIGH DURABILITY

HD

Name / Type
Wire Punch HD
Isolation Punch HD
Anvil HD

Series ULTRA DURABILITY

UD

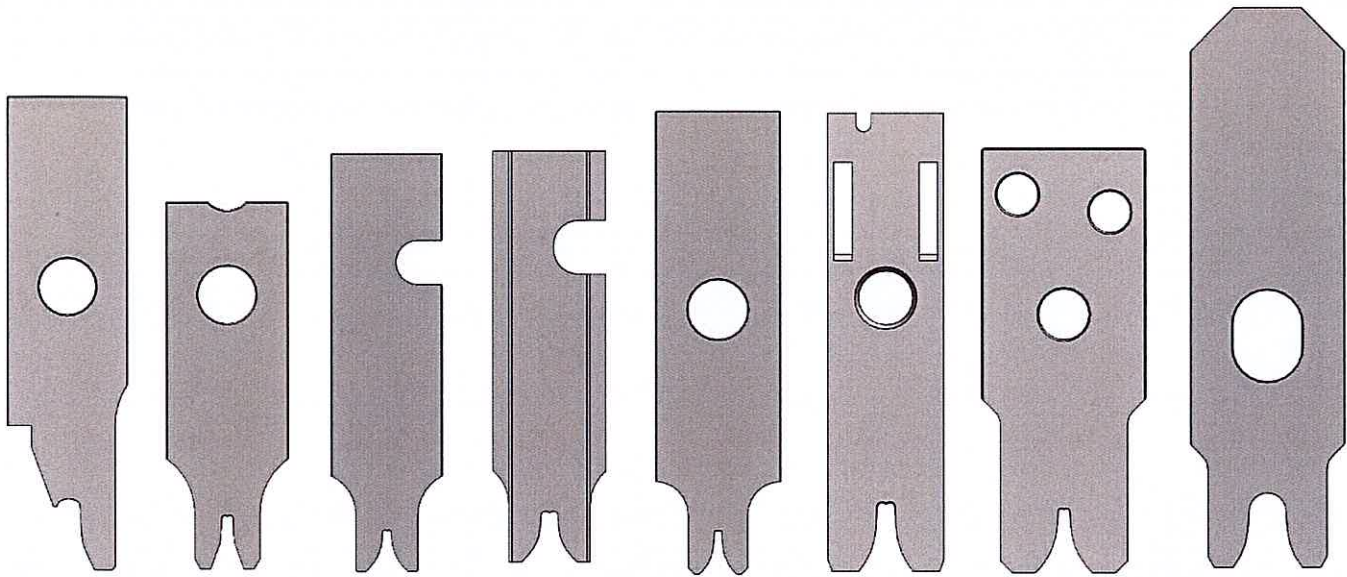
Name / Type
Wire Punch UD
Isolation Punch UD

Series STANDARD DURABILITY

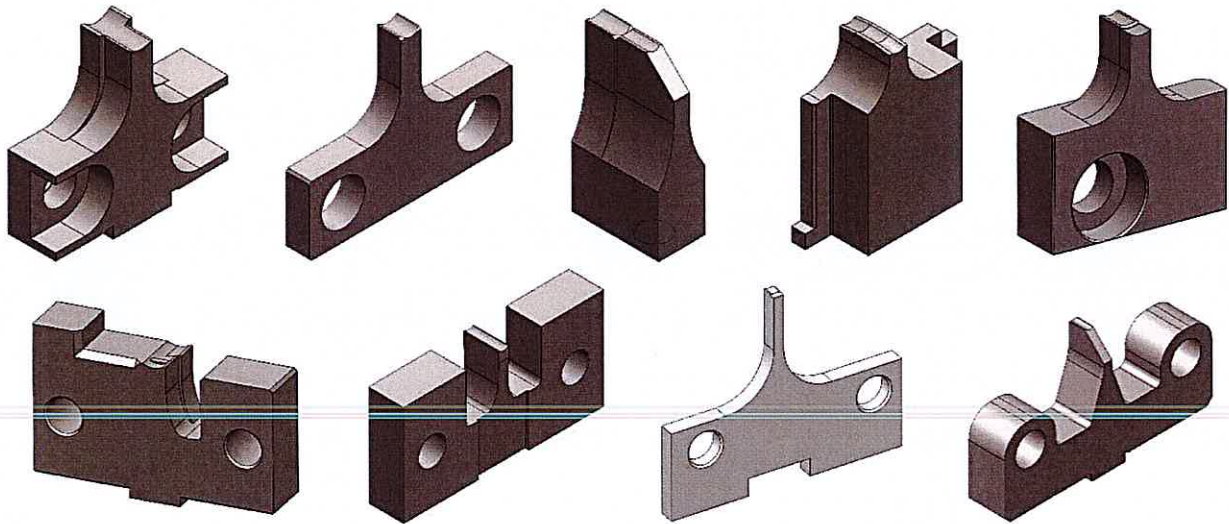
SD

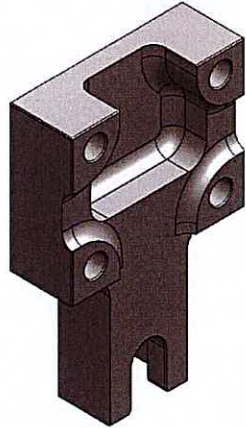
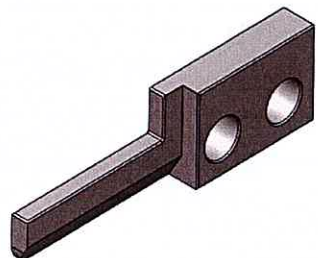
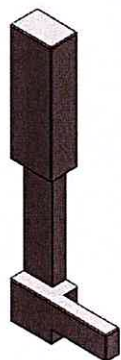
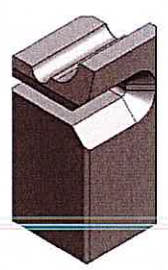
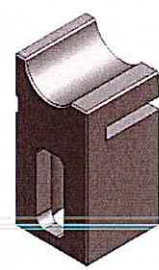
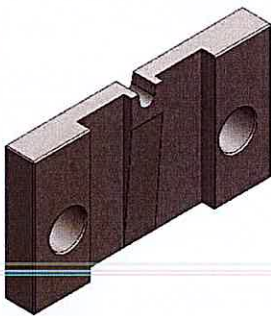
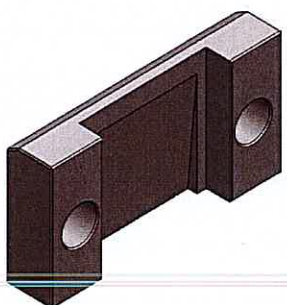
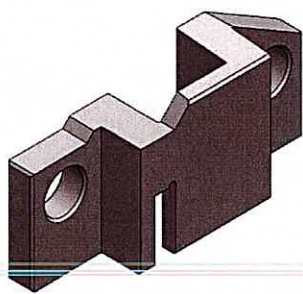
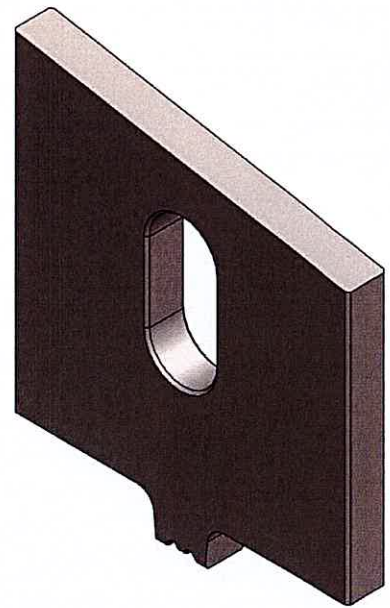
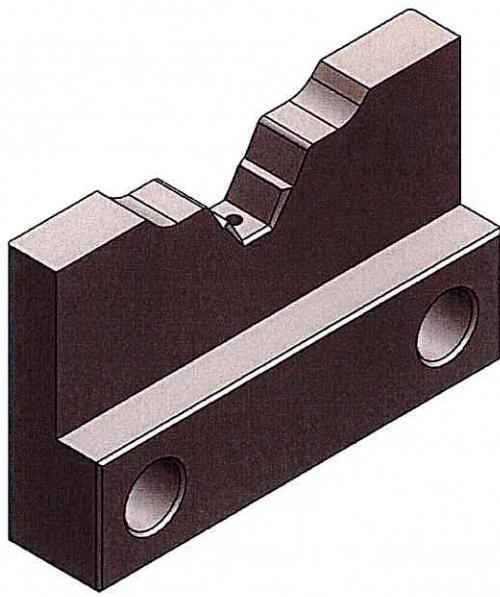
Name / Type
Wire Punch SAW
Isolation Punch SAW
Anvil SAW
Wire Punch CSW
Isolation Punch CSW
Anvil CSW
Wire Punch CLIP
Anvil CLIP
Wire Punch Mecal Type
Isolation Punch Mecal Type
Anvil Mecal Type
Wire Punch AMP/Tyco Type
Isolation Punch AMP/Tyco Type
Anvil AMP/Tyco Type

EXAMPLES TYPES OF PUNCHES:



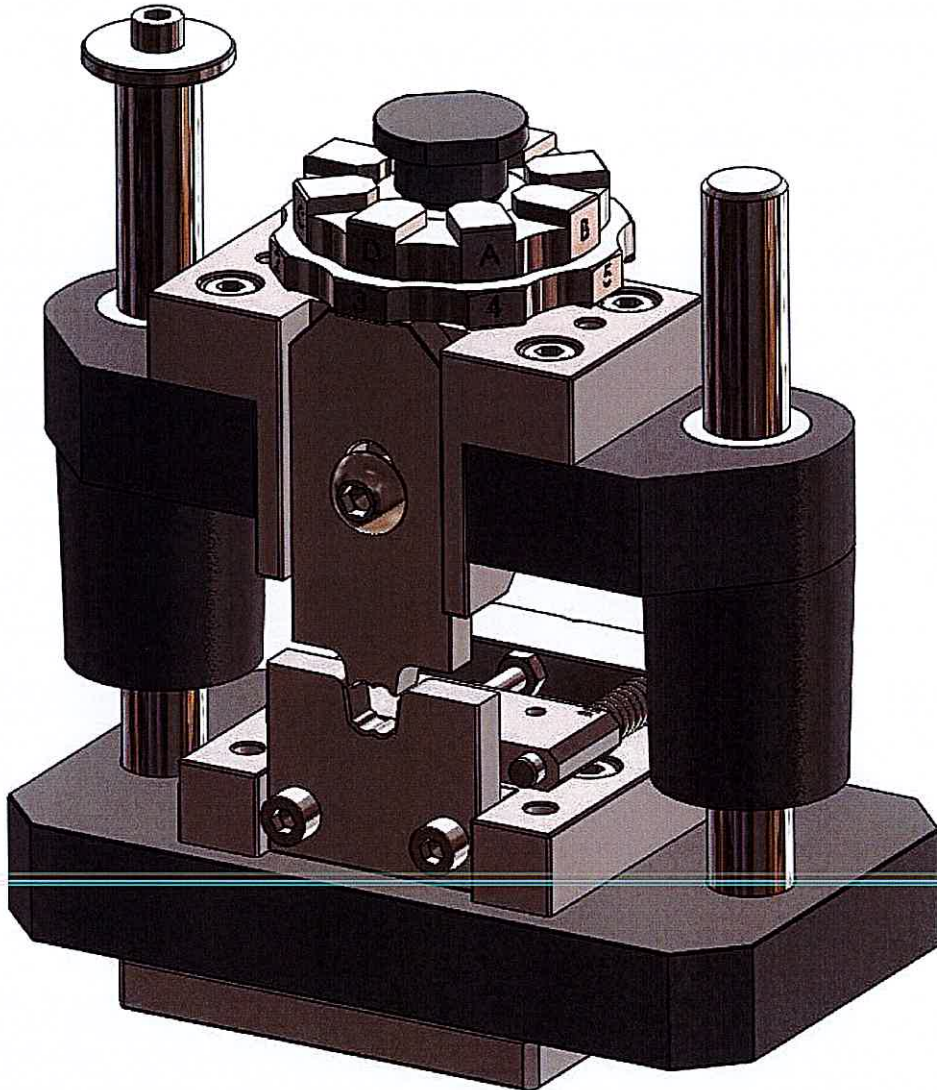
EXAMPLES TYPES OF ANVILS





MEDIUM APPLICATOR

Medium-sized column applicator, it is intended for crimping terminals in the range 6mm^2 - 16mm^2



Name

Medium Applicator

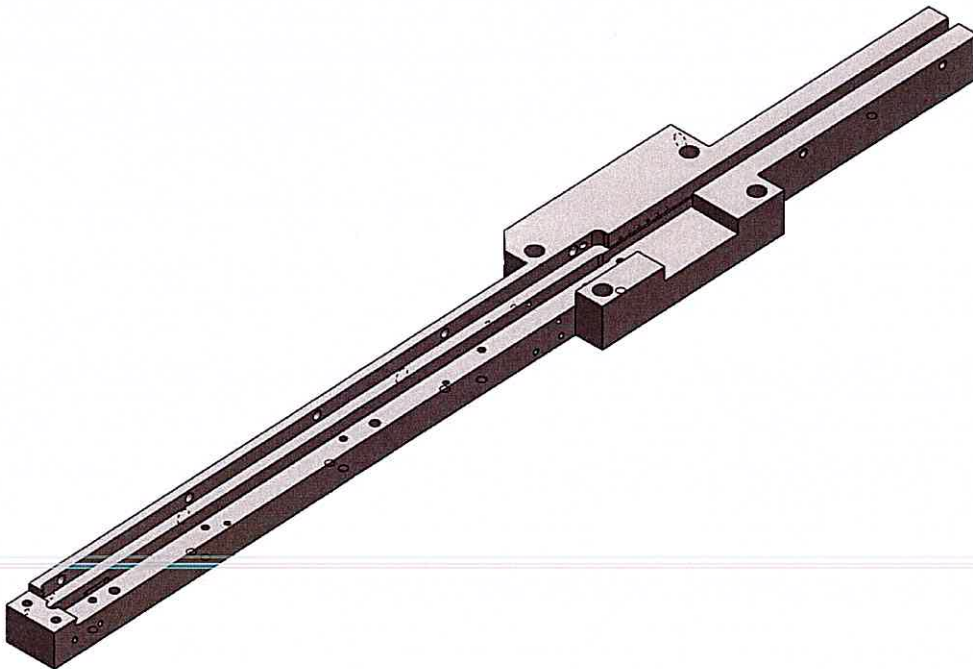
SEAL STATION PARTS

The most important for us is improving efficiency and quality of delivered products.

One of the best examples is replacement parts for the seal station.

All aluminum parts are covered by special hard layer of technical anode, which is used in the aerospace and military industries.

Name
Main Rail



Name	
0820000	Insert



Name	
0820001	Air input 2 pieces



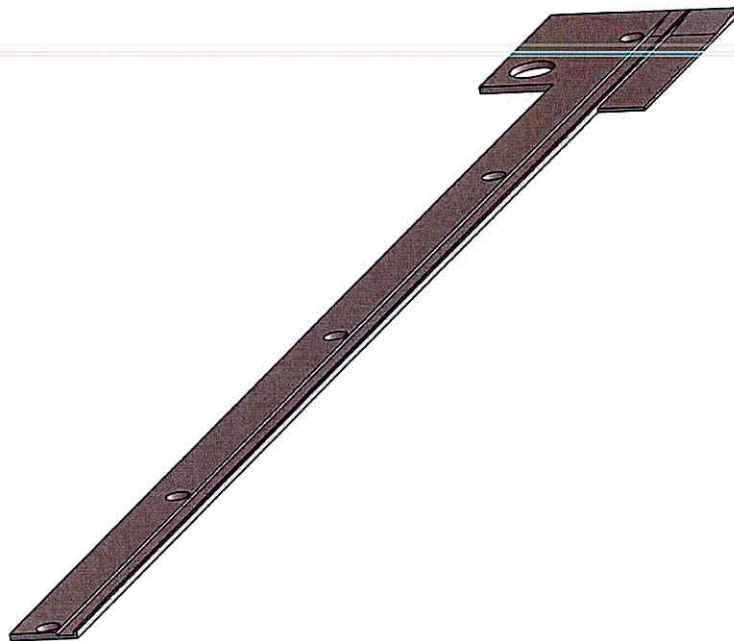
Name

0820005 Air input

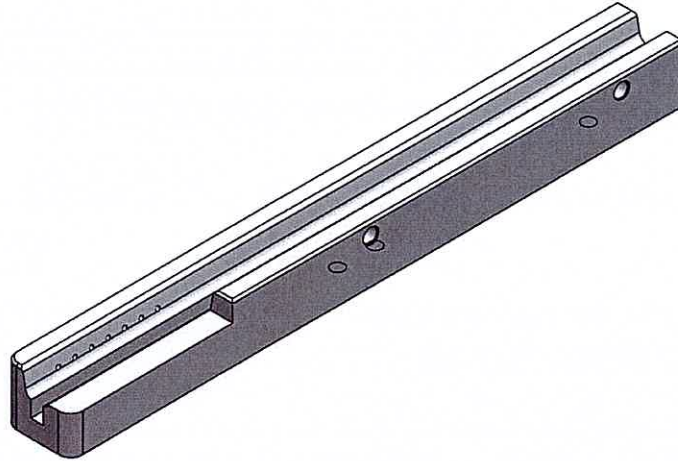


Name

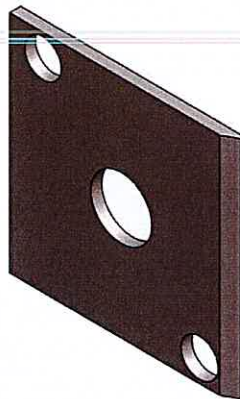
0820004 Coverplate long



Name	
0820006	Insert inlet

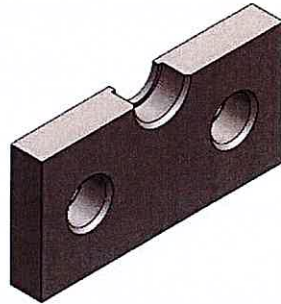


Name	
0820007	Cover sheet small



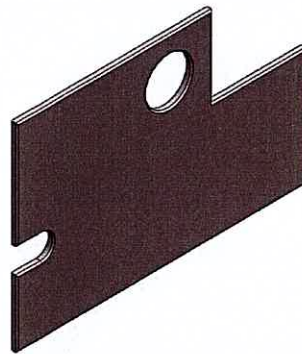
Name

0820002 End plate



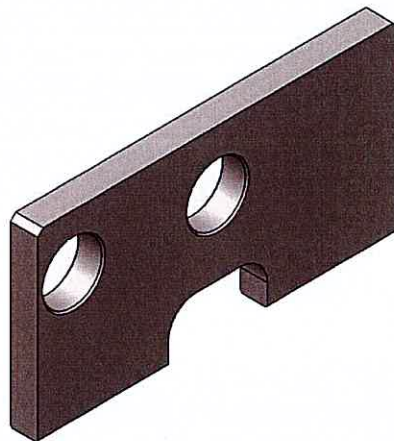
Name

0820003 Coverplate small

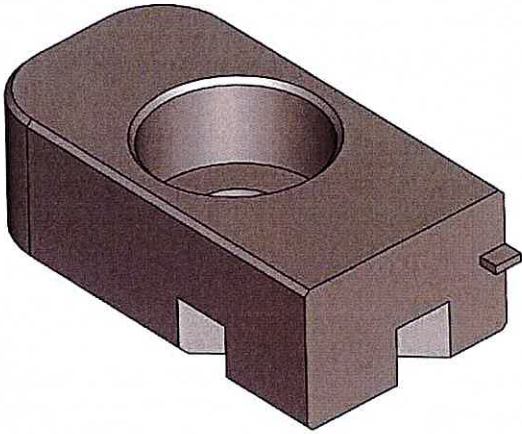


Name

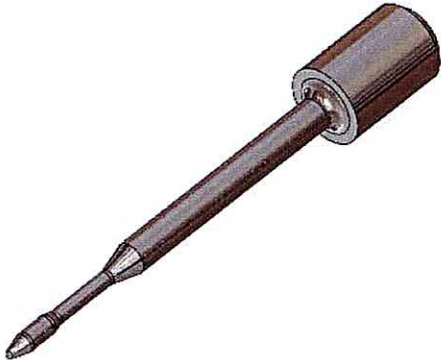
0820008 Clamping Platte



Name	
0820009	Baffle right
0820010	Baffle left



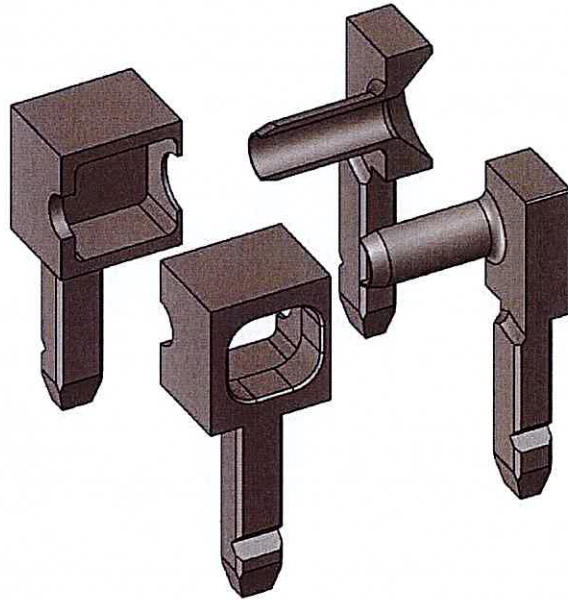
Name
Dorn - Pin



Name

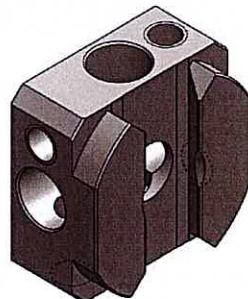
Abstreifer Oben/Unten - Stripper Above/Below
--

Spreizhulse Oben/Unten - Exp. Sleeve Above/Below
--



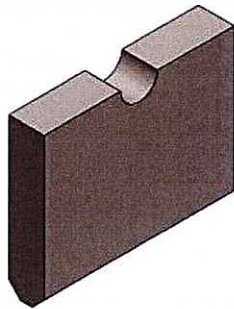
Name

0065288 Star Wheel



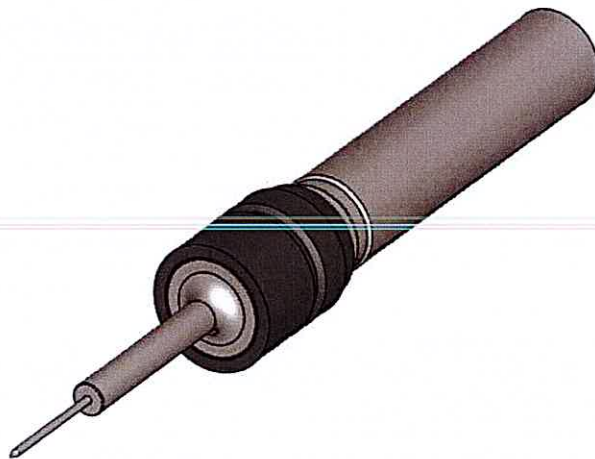
Name

Aufschiebepatte - Push Plate



Name

Vereinezelung - Separation Tooling



OTHER PARTS / IMPROVEMENTS / OWN DEVELOPMENT

